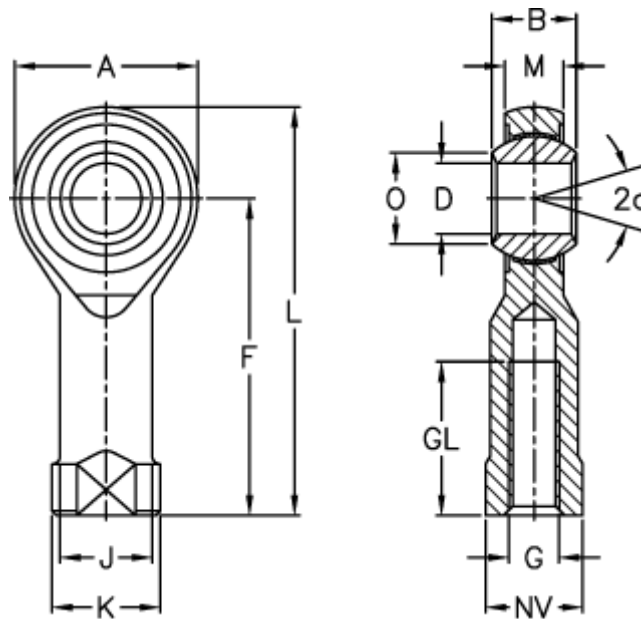


Article number: 03305016150

Description: Fluro Rod End GILOW 16 16x1,5
Without bushing with left-handed thread

Measures



| | | | | |
|---------------------|-----------|---------------------|------------------------------|------------------|
| A | = 42 | J | = 22 | Weight (g) = 230 |
| a (degrees) | = 15 | K | = 27 | |
| B | = 21 | L | = 85 | |
| D | = 16 | M | = 15 | |
| Dynamic load C (kN) | = 7 | NV | = 22 | |
| F | = 64 | O | = 19.3 | |
| G | = M16x1,5 | Permissible rpm | = Ikke velegnet til rotation | |
| GL | = 28 | Static load C0 (kN) | = 39 | |